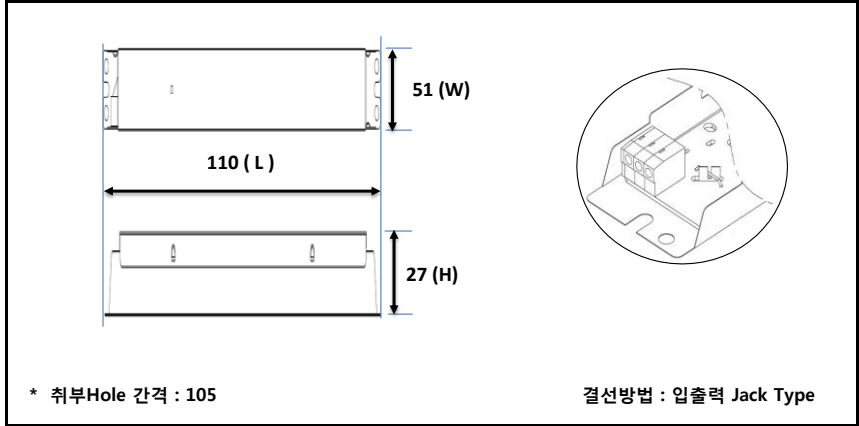


JS Series



Dimmension [mm]



DESCRIPTION		JSPF	JSPR	JSSR	JSSF	JSDD
Circuit Type		Primary Side Regulation Type		Secondary Side Regulation Type		2 Stage Dimming Type
Feature		Flicker Free	Standard	DC Sensor	DC Sensor Flicker Free	Standard
Input	Voltage (입력전압)	198 ~ 242 VAC				
	Frequency (주파수)	60Hz ± 3Hz				
	Power Factor (역률)	λ > 0.9				
	Efficiency (효율)	85%				
Output	DC Voltage (출력전압)	24Vdc ~ 48Vdc				
	Rated Current (출력전류)	Min 177mA ~ Max 1420mA	Min 177mA ~ Max 1420mA	Min 177mA ~ Max 1420mA	Min 177mA ~ Max 1420mA	Min 177mA ~ Max 1420mA
	Rated Power (출력전력)	Min 8.5W ~ Max 34W	Min 8.5W ~ Max 34W	Min 8.5W ~ Max 34W	Min 8.5W ~ Max 34W	Min 8.5W ~ Max 34W
	Output Method (출력방식)	Constant Current Type				
Protection	Over Load (과부하)	Protection Type : Shut Down operation Voltage, Restart				
	Over Voltage (과전압)	Protection Type : Shut Down operation Voltage, Restart				
Environment	Operating Temperature (사용온도)	-20°C ~ 50°C				
	Storage Temp & Humidity (보관조건)	-20°C ~ 70°C / 10 ~ 90%RH				
Safety & EMI	Safety Standards	KS C 7655, 10-IS 0256				
	EMI	Compliance to KSC IEC 61000, Class B				

* 상세사항은 당사 영업부에 문의 바랍니다.