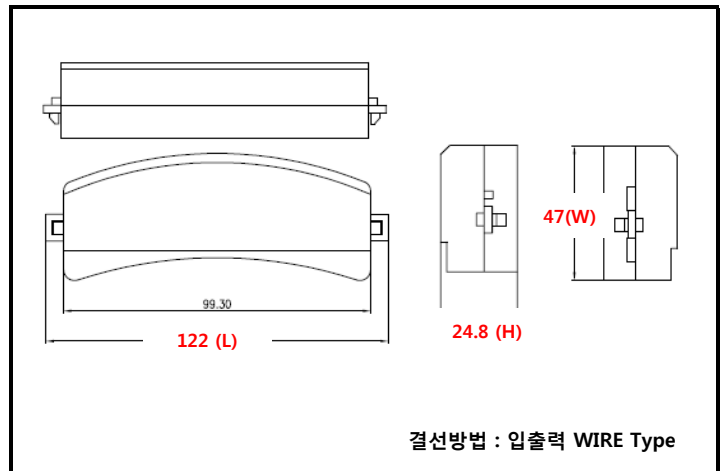


MM Series



Dimmension [mm]



DESCRIPTION		MMSR
Circuit Type		Secondary Side Regulation Type
Feature		DC Sensor
Input	Voltage (입력전압)	198 ~ 242 VAC
	Frequency (주파수)	60Hz ± 3Hz
	Power Factor (역률)	$\lambda > 0.9$
	Efficiency (효율)	85%
Output	DC Voltage (출력전압)	24Vdc ~ 48Vdc
	Rated Current (출력전류)	Min 89mA ~ Max 710mA
	Rated Power (출력전력)	Min 4W ~ Max 17W
	Output Method (출력방식)	Constant Current Type
Protection	Over Load (과부하)	Protection Type : Shut Down operation Voltage, Restart
	Over Voltage (과전압)	Protection Type : Shut Down operation Voltage, Restart
Environment	Operating Temperature (사용온도)	-20°C ~ 50°C
	Storage Temp & Humidity (보관조건)	-20°C ~ 70°C / 10 ~ 90%RH
Safety & EMI	Safety Standards	KS C 7655, 10-IS 0256
	EMI	Compliance to KSC IEC 61000, Class B

* 상세사항은 당사 영업부에 문의 바랍니다.