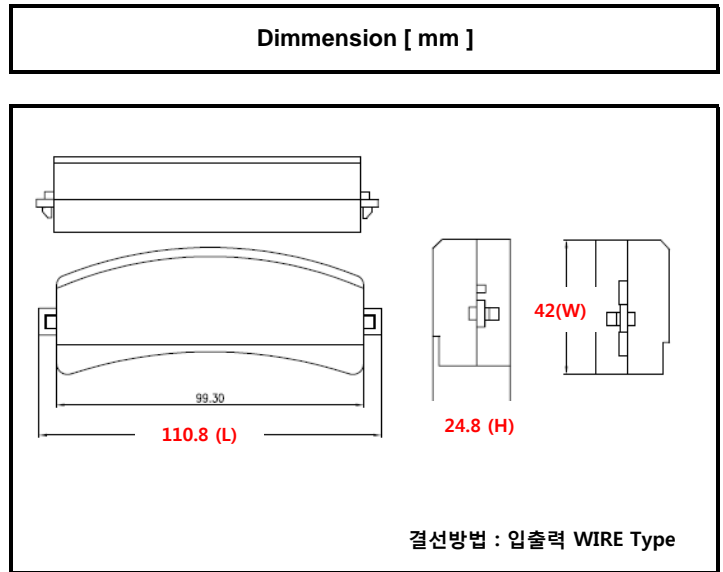


MS Series



DESCRIPTION		MSPR	MSSR
Circuit Type		Primary Side Regulation Type	Secondary Side Regulation Type
Feature		Standard	DC Sensor
	Voltage (입력전압)	198 ~ 242 VAC	
	Frequency (주파수)	60Hz ± 3Hz	
	Power Factor (역률)	$\lambda > 0.9$	
	Efficiency (효율)	85%	
Output	DC Voltage (출력전압)	24Vdc ~ 48Vdc	
	Rated Current (출력전류)	Min 90mA ~ Max 530mA	Min 90mA ~ Max 530mA
	Rated Power (출력전력)	Min 4W ~ Max 13W	Min 4W ~ Max 13W
	Output Method (출력방식)	Constant Current Type	
Protection	Over Load (과부하)	Protection Type : Shut Down operation Voltage, Restart	
	Over Voltage (과전압)	Protection Type : Shut Down operation Voltage, Restart	
Environment	Operating Temperature (사용온도)	-20°C ~ 50°C	
	Storage Temp & Humidity (보관조건)	-20°C ~ 70°C / 10 ~ 90%RH	
Safety & EMI	Safety Standards	KS C 7655, 10-IS 0256	
	EMI	Compliance to KSC IEC 61000, Class B	

* 상세사항은 당사 영업부에 문의 바랍니다.