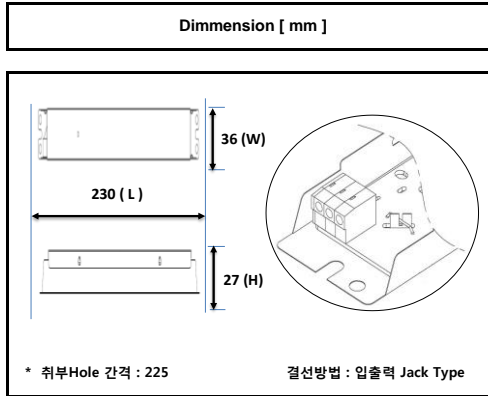


SL Series



DESCRIPTION		SLPF	SLPR	SLSR	SLSF	SLDD	SLPD	SLEL	
Circuit Type		Primary Side Regulation Type			Secondary Side Regulation Type		2 Stage Dimming Type	PWM Dimming Type	Emergency Lighting Type
Feature		Flicker Free	Standard	DC Sensor	DC Sensor	Standard	Standard	Emergency Lighting	
Input	Voltage (입력전압)	198 ~ 242 VAC							
	Frequency (주파수)	60Hz ± 3Hz							
	Power Factor (역률)	$\lambda > 0.9$							
	Efficiency (효율)	85%							
Output	DC Voltage (출력전압)	24Vdc ~ 48Vdc							
	Rated Current (출력전류)	Min 530mA ~ Max 2660mA	Min 530mA ~ Max 2660mA	Min 530mA ~ Max 2660mA	Min 530mA ~ Max 2300mA	Min 530mA ~ Max 2660mA	Min 530mA ~ Max 2660mA	Min 88mA ~ Max 710mA	
	Rated Power (출력전력)	Min 25.5W ~ Max 64W	Min 25.5W ~ Max 64W	Min 25.5W ~ Max 64W	Min 25.5W ~ Max 55.5W	Min 25.5W ~ Max 64W	Min 25.5W ~ Max 64W	Min 4W ~ Max 17W	
	Output Method (출력방식)	Constant Current Type							
Protection	Over Load (과부하)	Protection Type : Shut Down operation Voltage, Restart							
	Over Voltage (과전압)	Protection Type : Shut Down operation Voltage, Restart							
Environment	Operating Temperature (사용온도)	-20°C ~ 50°C							
	Storage Temp & Humidity (보관조건)	-20°C ~ 70°C / 10 ~ 90%RH							
Safety & EMI	Safety Standards	KS C 7655, 10-IS 0256							
	EMI	Compliance to KSC IEC 61000, Class B							

* 상세사항은 당사 영업부에 문의 바랍니다.