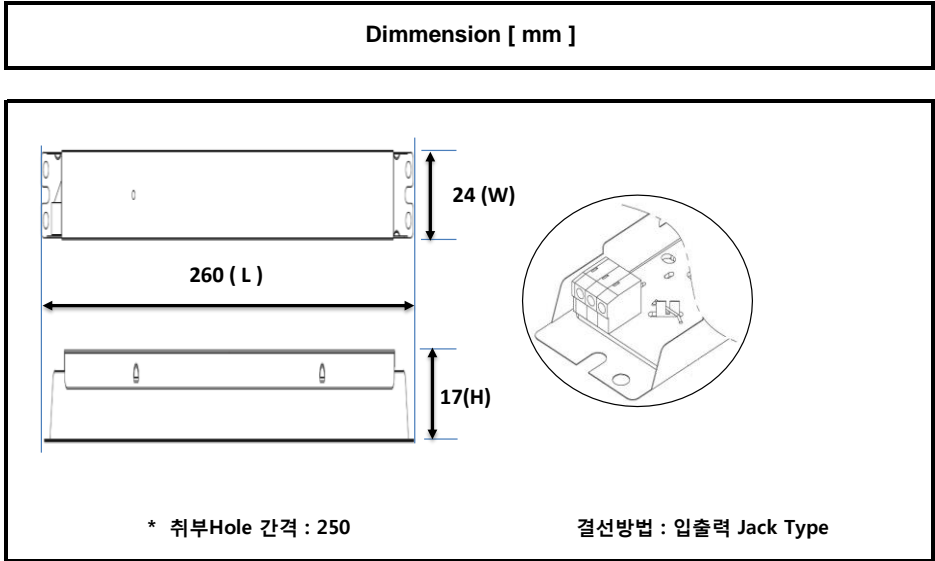


UM Series



DESCRIPTION		UMPF	UMPR	UMSR
Circuit Type		Primary Side Regulation Type	Primary Side Regulation Type	Secondary Side Regulation Type
Feature		Flicker Free	Standard	DC Sensor
Input	Voltage (입력전압)	198 ~ 242 VAC		
	Frequency (주파수)	60Hz ± 3Hz		
	Power Factor (역률)	$\lambda > 0.9$		
	Efficiency (효율)	85%		
Output	DC Voltage (출력전압)	24Vdc ~ 48Vdc		
	Rated Current (출력전류)	Min 530mA ~ Max 2300mA	Min 530mA ~ Max 2300mA	Min 530mA ~ Max 2130mA
	Rated Power (출력전력)	Min 25.5W ~ Max 55.5W	Min 25.5W ~ Max 55.5W	Min 25.5W ~ Max 51W
	Output Method (출력방식)	Constant Current Type		
Protection	Over Load (과부하)	Protection Type : Shut Down operation Voltage, Restart		
	Over Voltage (과전압)	Protection Type : Shut Down operation Voltage, Restart		
Environment	Operating Temperature (사용온도)	-20°C ~ 50°C		
	Storage Temp & Humidity (보관조건)	-20°C ~ 70°C / 10 ~ 90%RH		
Safety & EMI	Safety Standards	KS C 7655, 10-IS 0256		
	EMI	Compliance to KSC IEC 61000, Class B		

* 상세사항은 당사 영업부에 문의 바랍니다.