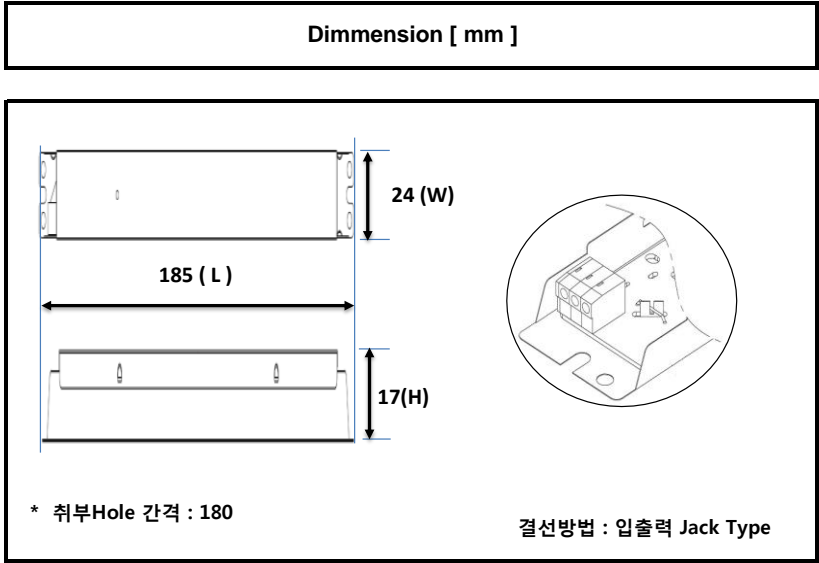


US Series



| DESCRIPTION | | USPR | USSR | USNI |
|--------------|--------------------------------|--|--------------------------------|----------------------|
| Circuit Type | | Primary Side Regulation Type | Secondary Side Regulation Type | Non Isolation Type |
| Feature | | Standard | DC Sensor | Standard |
| Input | Voltage (입력전압) | 198 ~ 242 VAC | | |
| | Frequency (주파수) | 60Hz ± 3Hz | | |
| | Power Factor (역률) | $\lambda > 0.9$ | | |
| | Efficiency (효율) | 85% | | |
| Output | DC Voltage (출력전압) | 24Vdc ~ 48Vdc | | |
| | Rated Current (출력전류) | Min 177mA ~ Max 1420mA | Min 177mA ~ Max 1420mA | Min 40mA ~ Max 800mA |
| | Rated Power (출력전력) | Min 8.5W ~ Max 34W | Min 8.5W ~ Max 34W | Min 8.5W ~ Max 51W |
| | Output Method (출력방식) | Constant Current Type | | |
| Protection | Over Load (과부하) | Protection Type : Shut Down operation Voltage, Restart | | |
| | Over Voltage (과전압) | Protection Type : Shut Down operation Voltage, Restart | | |
| Environment | Operating Temperature (사용온도) | -20°C ~ 50°C | | |
| | Storage Temp & Humidity (보관조건) | -20°C ~ 70°C / 10 ~ 90%RH | | |
| Safety & EMI | Safety Standards | KS C 7655, 10-IS 0256 | | |
| | EMI | Compliance to KSC IEC 61000, Class B | | |

* 상세사항은 당사 영업부에 문의 바랍니다.